



# SAI KRISHNA POULTRY EQUIPMENTS

## DJF(a)-3 Heavy Hammer Exhaust Fan

Low noise, large air volume and high efficiency



Model: DJF(a)-3-1380 (Plastic Blades)

Application site: \* Poultry house \* Greenhouse \* Workshop

1. Model: DJF(a)-3-1380
2. Dimension: 1380\*1380\*400mm
3. Motor: With Xizi Nosch Motor, 415V, 3 phase, 50hz, 1.1KW
4. Frame: 275gsm hot galvanized steel sheet, top frame 1.0mm, round frame 1.0mm, side&bottom 0.8mm
5. Belt: Japanese Mitsuboshi brand (without belt tensioner)
6. Blades: Plastic Nylon PA66, 3 blades
7. Shutter louver: 275gsm Galvanized Steel, 0.45mm thick.
8. Capacity: 44000 m<sup>3</sup>/h

# SAI KRISHNA PLASTIC INDUSTRIES



# SAI KRISHNA POULTRY EQUIPMENTS

## Features:



Small shutter and new sealed rotating device increase efficiency by 30%.

Box Fan



The new double-layer sealing device, the seal is stronger and the sealing is better.

Cooling Pads



The new louver rotating device makes the rotating arm directly rub against the wear sleeve, reducing the friction coefficient, the shutters can be opened more flexibly and closed more tightly.

Curtains

Curtains Winches



Sanhe motor, Siemens motor, WEG motor, ABB motor are optional. Voltage and Frequency can be customized. Protection Grade: IP55 Insulation Level: F



Fan blades are made of high quality plastic, beautiful appearance, low noise. Reasonable fan blade angle design, large air volume and high efficiency.

Cone Fan



Control Panels

The fan is equipped with a high strength alloy belt tensioner, the belt tension is always in an ideal state, improve the overall efficiency of the fan.

Control Panels



Belt pulley is made of high-strength aluminum-magnesium alloy by die-casting, light weight, low vibration, strong corrosion resistance, high strength, and no breakage.

Pullyes



Aluminum-magnesium alloy base, low vibration, firm fixation, beautiful a ppearance and no rust.



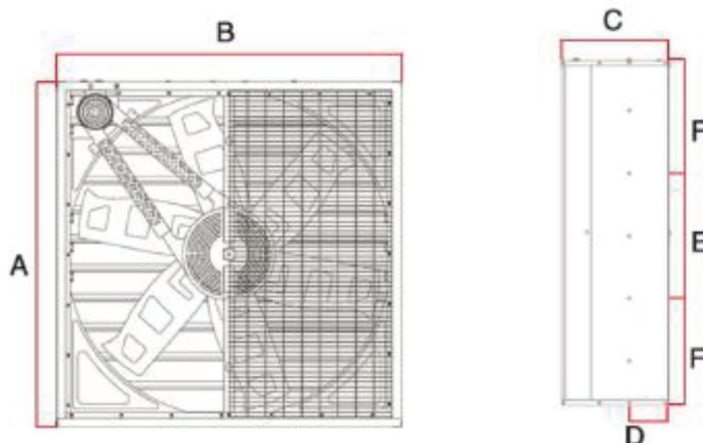
# SAI KRISHNA POULTRY EQUIPMENTS

## Technical Parameter:

Model specifications	Blades Diameter (mm)	Blades rotational speed(rpm)	Air flow (m <sup>3</sup> /h)	Total pressure (pa)	Noise decibels (dB)	Input power (W)	Power Parameter	Height (mm)	Width (mm)	Thickness (mm)
DJF(a)-3-1380	1270	443	44000	58	≤64	1100	380V/50Hz	1380	1380	400

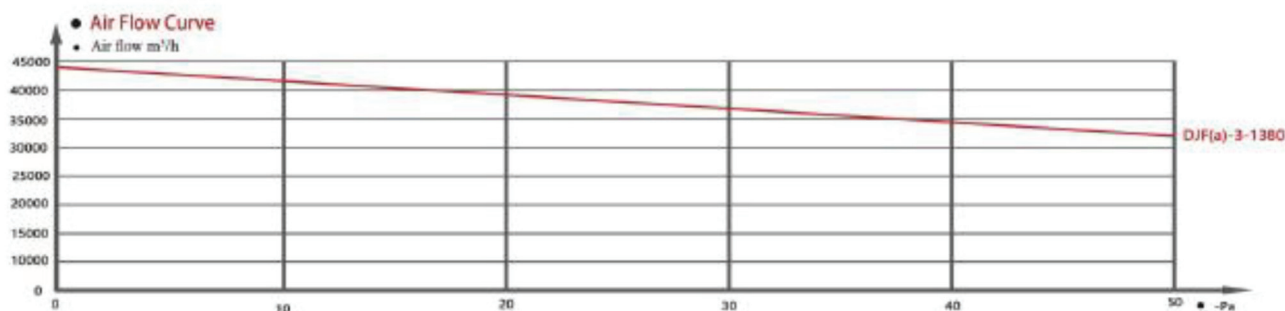
Note: the voltage and frequency can be customized

## Installation Instructions:



Fan model	Noise	Dimension(mm)						Ctn size (mm)	N.W (kg)	G.W (kg)	20FT (pcs)	40HC (pcs)
	At 7 m distance	A	B	C	D	E	F					
DJF(a)-3-1380 (50')	≤64	1380	1380	400	133	822	279	1400*1400*420	72	76	30	68

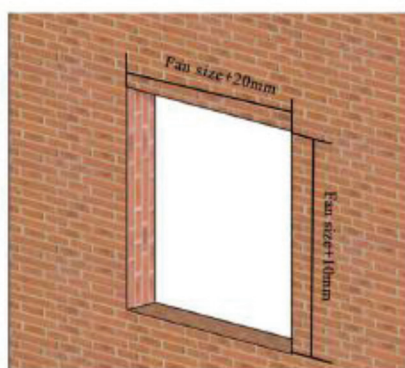
## Air Flow Curve:





# SAI KRISHNA POULTRY EQUIPMENTS

## Installation diagram



Dimension drawing of reserved hole

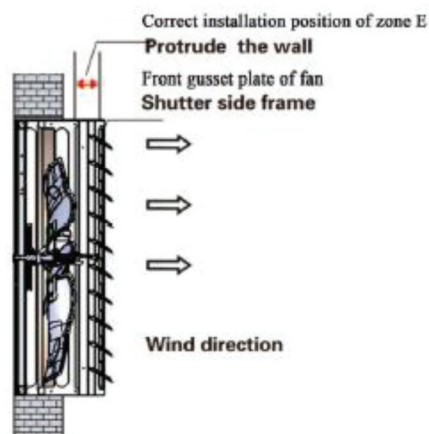
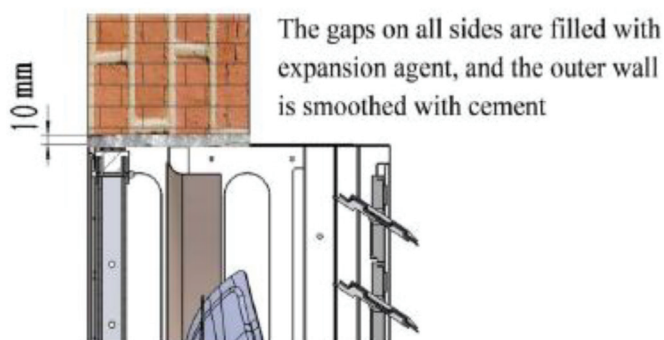
### Reserved Hole Size:

Height: Fan Size+10mm

(The bottom of the fan is close to the wall, and the top of fan is 1cm from the wall)

Width: Fan Size+20mm ( The left and right sides of the fan are 1cm from the wall)

Fan Size is the data A in the fan size table.



## SAI KRISHNA PLASTIC INDUSTRIES

Factory : Industrial Park Kondapur, Kondapur Village, Medak Dist - 502 336, Telangana

Factory : Behind Petrol Bunk, Padmanagar, Karimnagar - 505002, TG, Mobile : 94404 06200, 98490 59508

Sales Depot : Plot No:16, Road No: 2, Mamatanagar Colony, Nagole, Hyderabad - 5000 68, Telangana

Mobile : 92466 59508, 88979 11508, E-mail : [info@saikrishnapoultry.com](mailto:info@saikrishnapoultry.com), Web : [www.saikrishnapoultry.com](http://www.saikrishnapoultry.com)